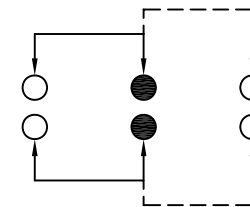
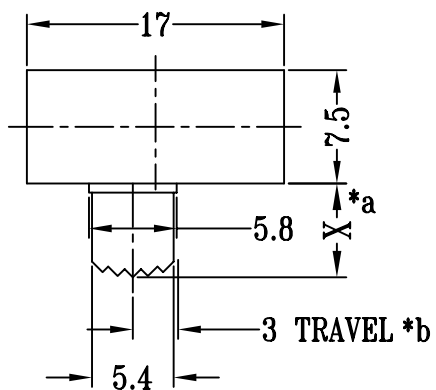
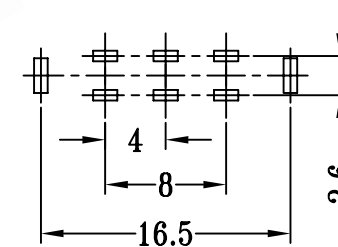
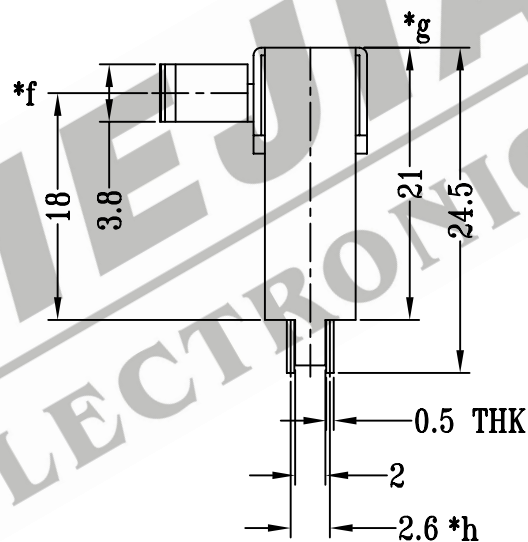
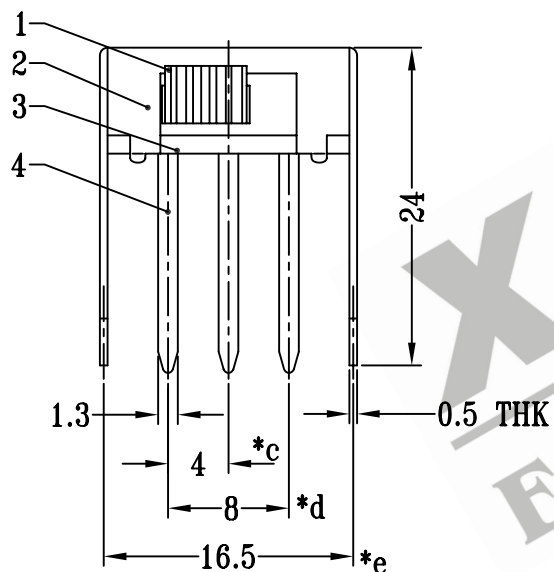


CAD FILE:



SCHEMATIC (NON-SHORTING)



P.C.B LAYOUT

注:带*表示关键尺寸(7个)

8					TOLERANCE	SHENZHEN XIEJIA ELECTRONICS CO.,LTD.				
7					UNLESS SPECIFIED					
6	CONTACT	COPPER STRIP	2	Ag PLATED	WITHIN: 1.5±0.1mm	ISSUE	DATE	DESCRIPTIONS		APPD.
5	SPRING	STEEL WIRE	2	TEMPER	OVER : 1.5±0.2mm					
4	TERMINAL	BRASS STRIP	6	Ag PLATED OVER Ni PLATED	TITLE : HORIZONTAL SLIDE SWITCH		UNIT : MM	DRWG NO.: XJ-DR-SK22F09-00		
3	BASE	PHENOLIC RESIN	1	BLACK	MODEL: SK-22F09		SCALE: 2:1	DWN.	ZHOUYU	2003-2-18
2	FRAME	STEEL STRIP	1	Ni PLATED	ALL MATERIALS MUST BE COMPLIANT TO ROHS			CHK'D	FANGYING	2003-2-18
1	KNOB	POM	1	BLACK				APPD.	KANGXINAN	2003-2-18
NO.	PART NAME	MATERIAL	Q'TY	FINISHING						